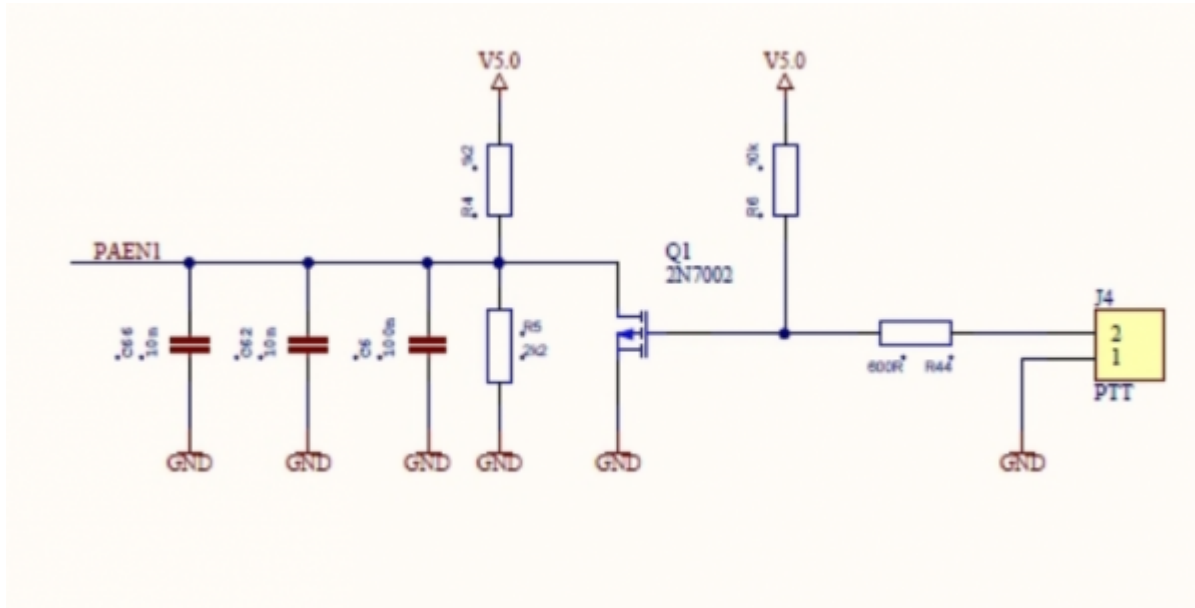


AMSAT-DL 2.4 GHz 6W PA

Circuit diagram PTT input

The PA offers a PTT switching input with which the two Skyworks amplifiers can be switched on or off. This ensures that no output signal leaves the PA during reception.

This also reduces the quiescent current in reception to approx. 62mA. When the PTT is activated (active low) the quiescent current of the output stage is approx. 130mA with a supply voltage of 12V.



From: <https://wiki.amsat-dl.org/> - **Satellite Wiki**

Permanent link: <https://wiki.amsat-dl.org/doku.php?id=en:pa6:ptt>

Last update: **2021/03/29 02:32**

